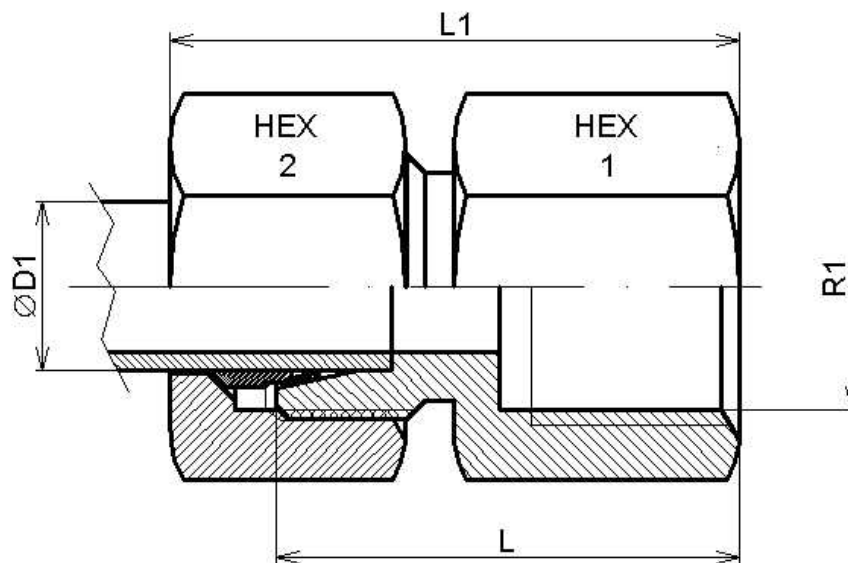


Racores DIN 2353

Racor recto hembra

Racor recto hembra rosca BSP

Acero Inoxidable AISI 316-L

1/1

Artículo	ØD1	Serie	R1	Presión de trabajo (bar)	L	L1	HEX 1	HEX 2
Z GAIL 6 R 1/8	6	L	1/8" BSP	315	26	34	14	14
Z GAIL 6 R 1/4	6	L	1/4" BSP	315				
Z GAIL 8 R 1/4	8	L	1/4" BSP	315	31	39	19	17
Z GAIL 10 R 1/4	10	L	1/4" BSP	315	32	40	19	19
Z GAIL 12 R 1/2	12	L	1/2" BSP	315	37	45	27	22
Z GAIL 12 R 3/8	12	L	3/8" BSP	315	33	41	22	22
Z GAIL 15 R 1/2	15	L	1/2" BSP	315	38	46	27	27
Z GAIL 18 R 1/2	18	L	1/2" BSP	315	38	47	27	32
Z GAIL 22 R 3/4	22	L	3/4" BSP	160	43	52	32	36
Z GAIL 28 R 1	28	L	1" BSP	160	45,5	54,5	41	41
Z GAIL 35 R 1 1/4	35	L	1"1/4 BSP	160	51,5	62,5	50	50
Z GAIL 42 R 1 1/2	42	L	1"1/2 BSP	160	53,5	65,5	55	60
Z GAIS 6 R 1/4	6	S	1/4" BSP	630	33	41	19	17
Z GAIS 8 R 1/4	8	S	1/4" BSP	630	33	41	19	19
Z GAIS 10 R 3/8	10	S	3/8" BSP	630	34	43	24	22
Z GAIS 12 R 3/8	12	S	3/8" BSP	630	34	43	24	24
Z GAIS 14 R 3/8	14	S	3/8" BSP	630				
Z GAIS 14 R 1/2	14	S	1/2" BSP	630	40	50	27	27
Z GAIS 16 R 1/2	16	S	1/2" BSP	400	40	50	27	30
Z GAIS 20 R 3/4	20	S	3/4" BSP	400	45	56	36	36
Z GAIS 25 R 1	25	S	1" BSP	400	49,5	61,5	41	46
Z GAIS 30 R 1 1/4	30	S	1"1/4 BSP	400	55,5	68,5	50	50
Z GAIS 38 R 1 1/2	38	S	1"1/2 BSP	315	59,5	74,5	60	60